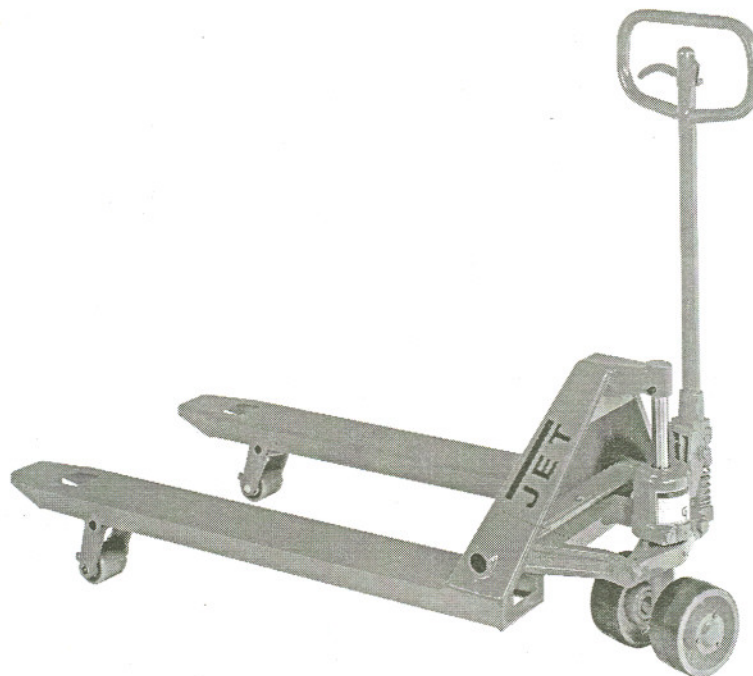




OWNER'S MANUAL "J" Series Pallet Trucks



JET EQUIPMENT & TOOLS, INC.
A WMH Company
www.jettools.com

P.O. BOX 1349
Auburn, WA 98071-1349
e-mail jet@jettools.com

Phone: 253-351-6000
Fax: 1-800-274-6840
M-140080 1/02

This manual has been prepared for the owner and operators of a JET "J" Series Pallet Truck. Its purpose, aside from tool operation, is to promote safety through the use of accepted correct operating and maintenance procedures. Completely read the safety and maintenance instructions before operating or servicing the tool. To obtain maximum life and efficiency from your pallet truck, and to aid in using the tool safely, read this manual thoroughly and follow instructions carefully.

Warranty & Service

The JET Group warrants every product it sells. If one of our tools needs service or repair, one of our Authorized Repair Stations located throughout the United States can give you quick service.

In most cases, any one of these JET Group Repair Stations can authorize warranty repair, assist you in obtaining parts, or perform routine maintenance and major repair on your JET, Performax or Powermatic tools.

For the name of an Authorized Repair Station in your area, please call 1-800-274-6848, or visit www.jettools.com.

More Information

Remember, the JET Group is consistently adding new products to the line. For complete, up-to-date product information, check with your local JET Group distributor, or visit www.jettools.com.

JET Group Warranty

The JET Group (including Performax and Powermatic brands) makes every effort to assure that its products meet high quality and durability standards and warrants to the original retail consumer/purchaser of our products that each product be free from defects in materials and workmanship as follow: 2 YEAR LIMITED WARRANTY ON "J" SERIES PALLET TRUCKS. This warranty does not apply to defects due directly or indirectly to misuse, abuse, negligence or accidents, normal wear-and-tear, repair or alterations outside our facilities, or to a lack of maintenance.

THE JET GROUP LIMITS ALL IMPLIED WARRANTIES TO THE PERIOD SPECIFIED ABOVE, FROM THE DATE THE PRODUCT WAS PURCHASED AT RETAIL. EXCEPT AS STATED HEREIN, ANY IMPLIED WARRANTIES OR MERCHANTABILITY AND FITNESS ARE EXCLUDED. SOME STATES DO NOT ALLOW LIMITATIONS ON HOW LONG THE IMPLIED WARRANTY LASTS, SO THE ABOVE LIMITATION MAY NOT APPLY TO YOU. THE JET GROUP SHALL IN NO EVENT BE LIABLE FOR DEATH, INJURIES TO PERSONS OR PROPERTY, OR FOR INCIDENTAL, CONTINGENT, SPECIAL, OR CONSEQUENTIAL DAMAGES ARISING FROM THE USE OF OUR PRODUCTS. SOME STATES DO NOT ALLOW THE EXCLUSION OR LIMITATION OF INCIDENTAL OR CONSEQUENTIAL DAMAGES, SO THE ABOVE LIMITATION OR EXCLUSION MAY NOT APPLY TO YOU.

To take advantage of this warranty, the product or part must be returned for examination, postage prepaid, to an Authorized Repair Station designated by our office. Proof of purchase date and an explanation of the complaint must accompany the merchandise. If our inspection discloses a defect, we will either repair or replace the product, or refund the purchase price if we cannot readily and quickly provide a repair or replacement, if you are willing to accept a refund. We will return repaired product or replacement at JET'S expense, but if it is determined there is no defect, or that the defect resulted from causes not within the scope of JET'S warranty, then the user must bear the cost of storing and returning the product. This warranty gives you specific legal rights; you may also have other rights which vary from state to state.

The JET Group sells through distributors only. Members of the JET Group reserve the right to effect at any time, without prior notice, those alterations to parts, fittings, and accessory equipment which they may deem necessary for any reason whatsoever.

⚠ WARNING

- Read and understand the entire owner's manual before using the pallet truck.
- Do not place hands or feet under the pallet truck at any time.
- Do not operate a loaded pallet truck on ramps, or inclines.
- Do not tip load pallet truck forks. This may cause damage to the forks and personal injury if the rear of the pallet truck suddenly "pops up".
- Never leave a loaded pallet truck unattended in the raised position. Always lower load to the floor.
- Do not load pallet truck beyond its rated capacity 5,000 lbs.
- Secure load before transporting.
- To prevent accidental tipping, make sure load is centered on the forks.
- Do not move a loaded pallet truck by other than manual force.
- Failure to comply with these warnings may result in personal injury and/or property damage.

Introduction

Congratulations on your purchase of a JET Pallet Truck.

To better understand the proper use and safe operation of this pallet truck, please take a few minutes to carefully read and follow the instructions contained in this manual. When finished reading and understanding the manual, please file in a safe and convenient location for the life of the pallet truck.

This pallet truck is designed to push and pull palletized material loads up to 5,000 pounds only.

You will notice several important features about your JET Pallet Truck. One, its 2-1/2" lowered height and tapered fork tips allow easy entry into pallets. The PT-3348J four-way pallet truck features a 2" lowered height.

The heavy-gauge steel frame is reinforced with cross-welded steel plates to prevent forks from bending and solid steel push rods are used for added strength. The pump features top-of-the-stroke and overload by-pass valve systems. A durable powder coat finish provides long lasting steel protection.

Extra wide polyurethane covered steel steer wheels and nylon load wheels feature lifetime lubricated, double sealed bearings to provide smooth, quiet rolling and added stability.

Your JET Pallet Truck is truly one of the finest pallet trucks in the world.

Record Your Purchase Information Here

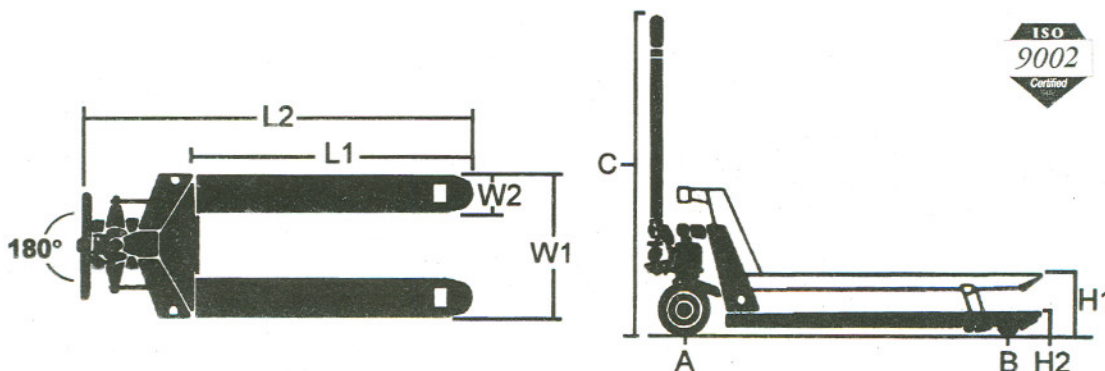
| | |
|-----------------|------------------|
| Purchased from: | Date: |
| Model Number: | Stock Number: |
| Serial Number: | Date in Service: |

Table of Contents

| | |
|-----------------------------------|-------|
| Warranty | 2 |
| Warnings..... | 3 |
| Introduction | 3 |
| Purchase Information..... | 3 |
| Table of Contents | 4 |
| Specifications..... | 4 |
| Assembly | 5-6 |
| Pallet Truck Operation | 6-7 |
| Up-Down Cam Adjustment | 7 |
| Bleed the Pump | 7 |
| Lubrication | 7 |
| Seal and O-Ring Replacement..... | 8 |
| Troubleshooting | 9 |
| Parts Breakdown & Parts List..... | 10-13 |
| Test Certificate..... | 14 |

Specifications

| Model # | Stock # | W1 | W2 | L1 | L2 | H1 | H2 | A (dxw) | B (dxw) | C | Net Wt. lbs. |
|----------|---------|---------|----|-----|-----|--------|--------|---------------|---------------|---------|--------------|
| PT-1636J | 140016 | 16" | 6" | 36" | 55" | 6-1/4" | 2-1/2" | 6-1/4"×2-3/4" | 2-1/2"×3-3/4" | 45-1/8" | 135 |
| PT-2036J | 140085 | 20 1/2" | 6" | 36" | 51" | 6-1/4" | 2-1/2" | 6-1/4"×2-3/4" | 2-1/2"×3-3/4" | 45-1/8" | 150 |
| PT-2042J | 140084 | 20 1/2" | 6" | 42" | 57" | 6-1/4" | 2-1/2" | 6-1/4"×2-3/4" | 2-1/2"×3-3/4" | 45-1/8" | 161 |
| PT-2048J | 140083 | 20 1/2" | 6" | 48" | 63" | 6-1/4" | 2-1/2" | 6-1/4"×2-3/4" | 2-1/2"×3-3/4" | 45-1/8" | 172 |
| PT-2736J | 140082 | 27" | 6" | 36" | 51" | 6-1/4" | 2-1/2" | 6-1/4"×2-3/4" | 2-1/2"×3-3/4" | 45-1/8" | 174 |
| PT-2742J | 140081 | 27" | 6" | 42" | 57" | 6-1/4" | 2-1/2" | 6-1/4"×2-3/4" | 2-1/2"×3-3/4" | 45-1/8" | 185 |
| PT-2748J | 140080 | 27" | 6" | 48" | 63" | 6-1/4" | 2-1/2" | 6-1/4"×2-3/4" | 2-1/2"×3-3/4" | 45-1/8" | 196 |
| PT-3348J | 140033 | 33" | 6" | 48" | 63" | 6" | 2" | 6-1/4"×2-3/4" | 2"×3-3/4" | 45-1/8" | 216 |



The specifications in this manual are given as general information and are not binding. JET Equipment & Tools reserves the right to effect, at any time and without prior notice, changes or alterations to parts, fittings, and accessory equipment deemed necessary for any reason whatsoever.

Assembly

Note: Individual trucks are assembled and ready to use. Pallet trucks purchased in crate quantities (6 units to a crate) require some assembly. Match the "number" label on the handle to the "number" label on the frame, prior to assembly.

Tools Needed for Assembly

- Hammer
- Flat Head Screwdriver
- Pliers or 17mm Wrench

1. Insert the base of the handle (A, Fig. 1) into the pump bracket (B, Fig. 1).
2. Align the holes (C, Fig. 1) at the base of the handle with the holes in the pump bracket.
3. Using a screwdriver, pry the cam (D, Fig. 1) up and slip the bolt head, under the notch in the cam. **Do not adjust the nut.**

4. Insert handle pins (E, Fig. 2) into the holes of the pump bracket and handle. Align the spring pin holes (F, Fig. 2) in the handle pin and the pump bracket.
5. Tap the handle pins into place with a hammer.

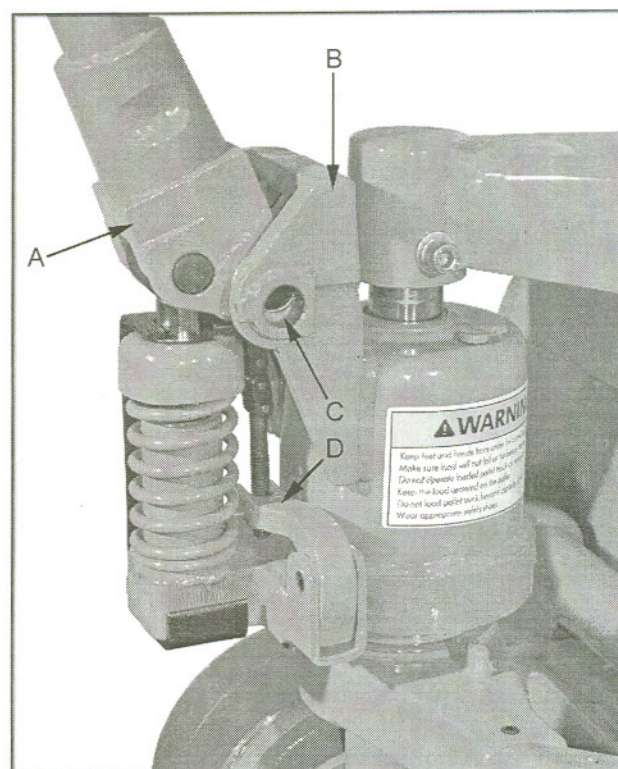
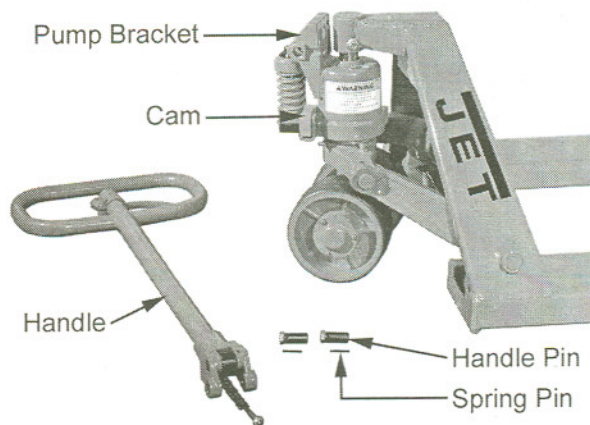


Fig. 1



Fig. 2

6. Using a hammer, tap the spring pins (A, Fig. 3) into the pump bracket and handle pins.
Note: If the holes aren't lined up use a 17mm wrench or pliers to turn the handle pin until the spring pin holes line up.
7. Repeat for the opposite side handle pin.
8. Pull the handle down and remove the retaining bracket (B, Fig. 3) by pulling straight out. Discard retaining bracket.

Note: If the pallet truck does not raise, or lower properly you may have air bubbles in the pump from shipping. Refer to "Bleed the Pump" on page 7.

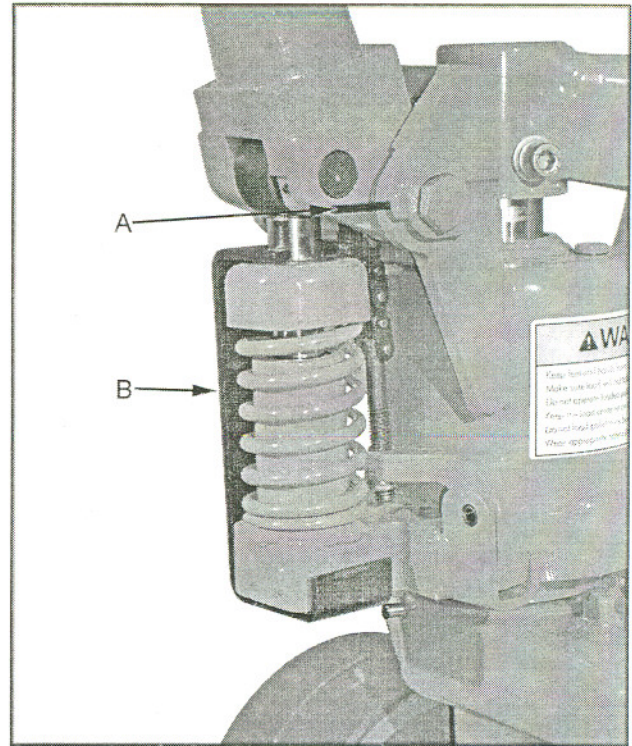


Fig. 3

Pallet Truck Operation

To raise the forks, place handle in the UP position (bottom part of the handle slot), see Fig. 4.

To lower forks, pull lever handle to DOWN position (upper part of the slot).

To freely move the handle, set the lever in Neutral (center notch of slot).

To Lift a Load

1. Lower forks to lowest position, Figure 4.
2. Insert forks under load, or into pallet.
3. Place lever in UP position (bottom part of slot), Figure 4.
4. Move handle up, and down until forks reach desired height.

To Move a Load

1. Place lever in NEUTRAL position (center notch of slot), Figure 4.
2. Pull or push pallet truck to desired location.

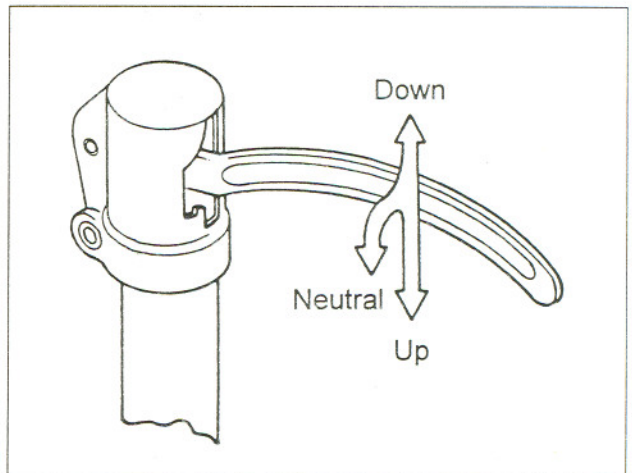


Fig. 4

To Lower a Load

1. Pull lever to the DOWN position (upper part of slot), Figure 5.
2. Pull forks away from load.

Up-Down Cam Adjustment

1. Set the lever in the NEUTRAL position, Figure 5.
2. Turn the cam nut while pumping the handle, Figure 6.
3. When lifting stops, give the nut one more turn.
4. The cam nut is properly adjusted when pumping the handle in the NEUTRAL position causes no movement of the hydraulic ram.

Cleaning the Release Valve (Bleed the Pump)

Over time, the hydraulic pump assembly may become clogged with debris, air bubbles, and not function properly.

To clean the release valve and bleed the pump:

1. Pump handle quickly, raising pallet truck to full extent. While continuing pumping action, pull lever to down position.
2. When forks reach total down position, valve is flushed. Repeat if necessary.

Lubrication

Check the oil level annually by removing the oil plug found on the top of the pump housing. When changing or adding oil, fill the tank through the oil plug screw hole to 80% capacity with hydraulic jack oil, about 2" deep in pump housing, see Figure 7. **Do not** use any other type of oil.

There is one grease fitting (#55B in the breakdown) located on the table. Lubricate this point on a semi-annual basis.

Wheel bearings are sealed and require no lubrication. Crank Shaft features oil light bushings that also require no lubrication.

Lightly oil all moving parts.

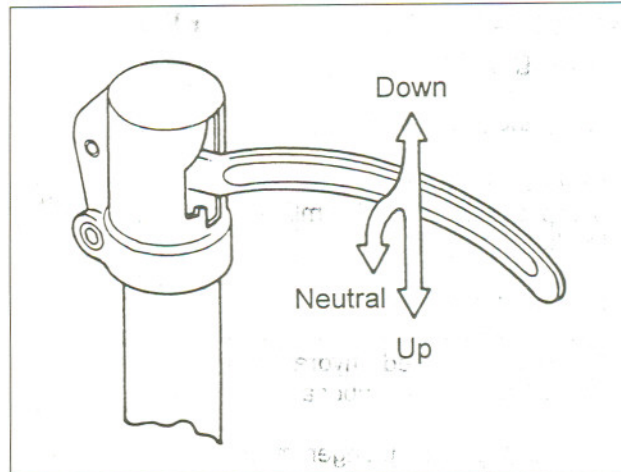


Fig. 5

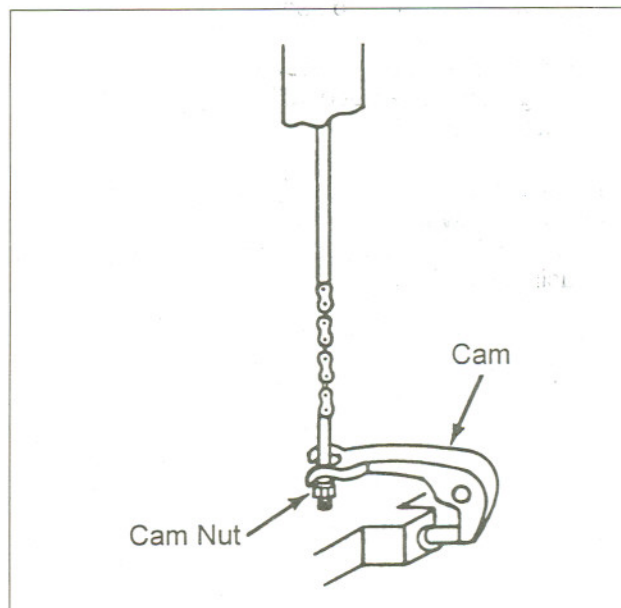


Fig. 6

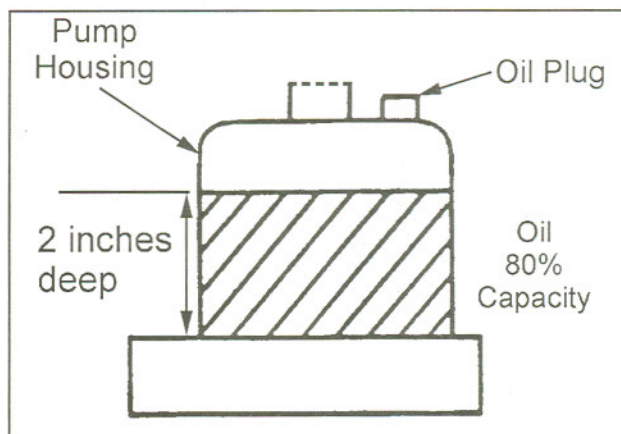
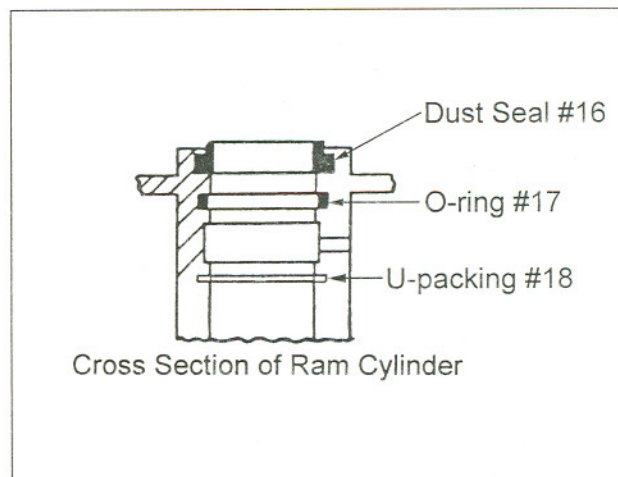


Fig. 7

Seal and O-Ring Replacement for Piston and Plunger Piston

1. Raise the pallet truck by pumping handle.
2. Remove the bolts #70. This will free the pump and handle assembly from the pallet truck.
3. Empty the oil into a suitable container. Pump handle until all oil has drained. Dispose of used hydraulic oil, or fluid according to local disposal regulations.
4. Pull out piston plunger #33, and/or ram piston #25.
5. Remove all o-rings and seals, see Figure 8.
6. Insert new o-ring or seal one at a time making sure to replace with the same size that was removed.
7. Reassemble and fill the oil tank through the oil plug screw hole to 80% capacity with new hydraulic jack oil, about 2" deep in pump housing, see Figure 7.



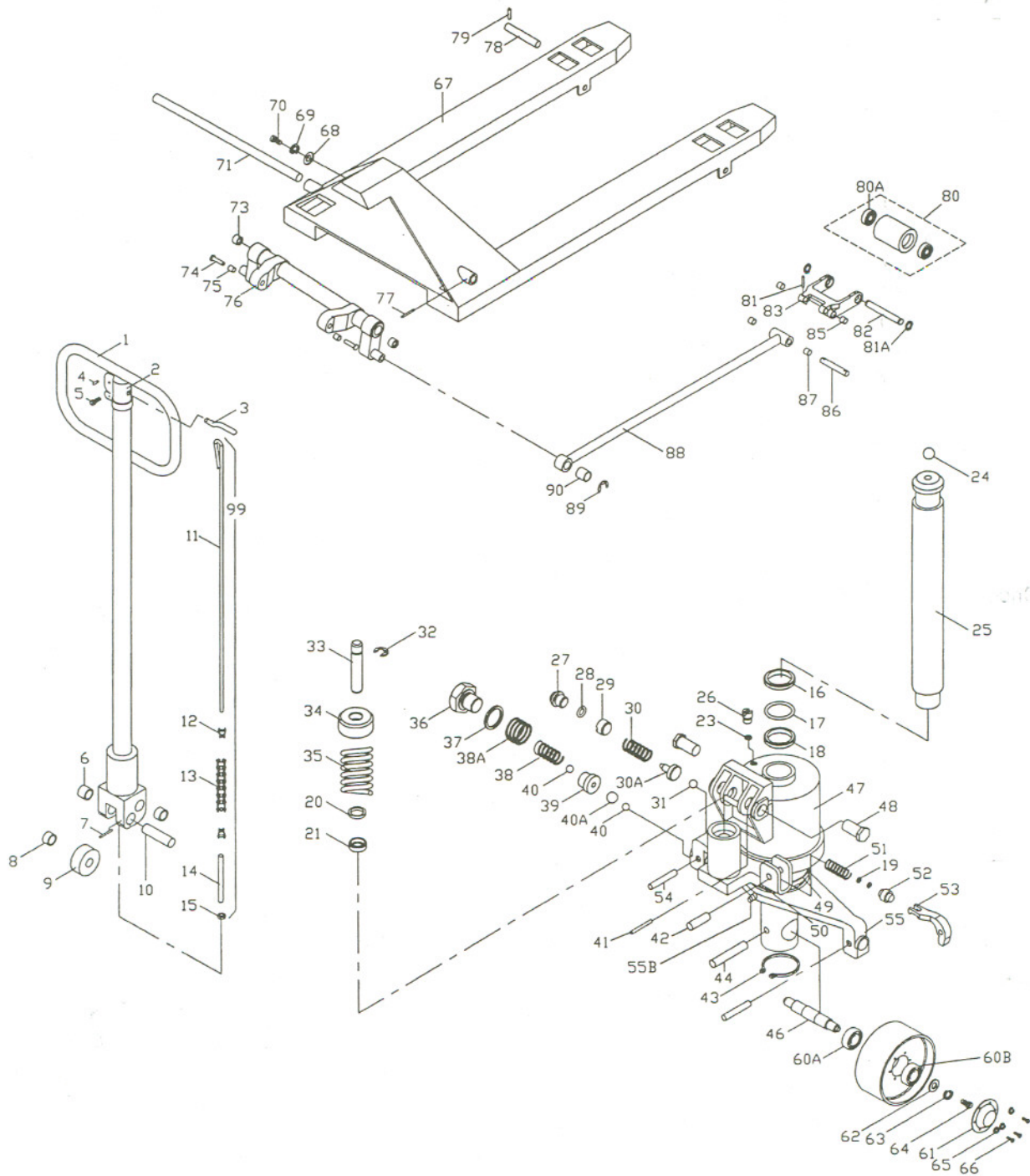
Cross Section of Ram Cylinder

Fig. 8

Troubleshooting

| Condition | Probable Causes | Corrective Action |
|-----------------------------------------|------------------------------------------------------------------------------------------------------------------------------------------------------------------------------------------------------------------------------------------------------------------------------------------------------------------------|--------------------------------------------------------------------------------------------------------------------------------------------------------------------------------------------------------------------------------------------------------------------------------------------------------------------------------------------------------------------------------------------------------------------------------------------------------|
| Hydraulic unit does not lift. | <ol style="list-style-type: none"> 1. Oil low in tank. 2. Air in pump. 3. Worn O-ring in ram cylinder. | <ol style="list-style-type: none"> 1. Make sure there is no oil leakage from Release Plug #36 or Pressure Adjustment Screw #27, and add oil. 2. Place the lever in the down position and pump the handle repeatedly. 3. Consult authorized repair station. |
| Once lifted, truck lowers by itself. | <ol style="list-style-type: none"> 1. Steel ball not seated in hydraulic unit. 2. Worn O-ring in ram cylinder. 3. Release valve not seated properly. 4. Release valve not adjusted properly. 5. Oil leakage from Release Plug #36 or Pressure Adjustment Screw #27. | <ol style="list-style-type: none"> 1. See "Cleaning the Release Valve" page 7. 2. Consult authorized repair station. 3. See "Cleaning the Release Valve" page 7. 4. Reload truck within load capacity, and adjust valve by Pressure Adjustment Screw #27. 5. Tighten Release Plug #36. Replace O-rings on Release Plug #36 and/or Pressure Adjustment Screw #27. Consult authorized repair station. |
| Fork does not lower. | <ol style="list-style-type: none"> 1. Cam #53 broken. 2. Up-down cam nut #15 out of adjustment. 3. Broken fork rods and linkage. | <ol style="list-style-type: none"> 1. Replace cam #53. 2. Refer to "Adjusting Up-Down Cam" page 7. 3. Consult authorized repair station, or replace broken parts. |
| Lever does not set at NEUTRAL position. | <ol style="list-style-type: none"> 1. Up-down cam nut out of adjustment. | <ol style="list-style-type: none"> 1. Refer to "Adjusting Up-Down Cam" page 7. |

Parts Breakdown for the "J" Series Pallet Trucks



Parts List for the "J" Series Pallet Trucks

| Index No. | Part No. | Description | Size | Qty. |
|-----------|--------------|---------------------------------------------------------------|--------------|------|
| 1 | PT2748A-001 | Handle | | 1 |
| 2 | PT2748A-002 | Handle Cap | | 1 |
| 3 | PT2748A-003 | Lever | | 1 |
| 4 | PT2748A-004 | Spring Pin | 5x16mm | 1 |
| 5 | PT2748A-005 | Bolt | M8x20 | 1 |
| 6 | PT2748A-006 | Oil Lite Bushing | | 2 |
| 7 | PT2748A-007 | Spring Pin | 3x28mm | 1 |
| 8 | PT2748A-008 | Oil Lite Bushing | | 1 |
| 9 | PT2748A-009 | Roller | | 1 |
| 10 | PT2748A-010 | Roller Pin | | 1 |
| 11 | PT2748A-011 | Release Rod | | 1 |
| 12 | PT2748A-012 | Chain Joint | | 2 |
| 13 | PT2748A-013 | Chain | | 1 |
| 14 | PT2748A-014 | Anchor Bolt | | 1 |
| 15 | PT2748A-015 | V-Nut | M8 | 1 |
| 16 | PT2748J-101A | Dust Seal * | | 1 |
| 17 | PT2748J-101A | O-Ring * | 29.8x3.5mm | 1 |
| 18 | PT2748J-101A | U-Packing * | 30x38x6mm | 1 |
| 19 | PT2748J-101A | O-Ring * | 4.8x1.9mm | 2 |
| 20 | PT2748J-101A | Dust Seal * | | 1 |
| 21 | PT2748J-101A | U-Packing * | 18x24x8 | 1 |
| 23 | PT2748J-101A | O-Ring * | 5.7x1.9mm | 1 |
| 24 | SB-14MM | Steel Ball | 14mm | 1 |
| 25 | PT2748J-025 | Ram Piston (all models except PT-3348J) | | 1 |
| | PT3348J-025 | Ram Piston (PT-3348J Only) | | 1 |
| 26 | PT2748A-026 | Oil Plug | | 1 |
| 27 | PT2748A-027 | Pressure Adjust Screw | | 1 |
| 28 | PT2748J-101A | O-Ring * | 11.6x2.4mm | 1 |
| 29 | PT2748A-029 | Release Screw | | 1 |
| 30 | PT2748A-030 | Spring | 10x2.3x27mm | 1 |
| 30A | PT2748A-30A | Valve | | 1 |
| 31 | SB-6MM | Steel Ball | 6mm | 1 |
| 32 | PT2748A-032 | E-Ring | 15mm | 1 |
| 33 | PT2748L-033 | Plunger Piston | | 1 |
| 34 | PT2748A-034 | Spring Cap | | 1 |
| 35 | PT2748A-035 | Spring | 38x5x112.5mm | 1 |
| 36 | PT2748A-036 | Release Plug | | 1 |
| 37 | PT2748A-037 | Washer | 20mm | 1 |
| 38 | PT2748A-038 | Spring | 8x1.5x12.8mm | 1 |
| 38A | PT2748A-038A | Spring | 4.8x0.7x15mm | 1 |
| 39 | PT2748A-039 | Valve Housing | | 1 |
| 40 | SB-6MM | Steel Ball | 6mm | 2 |
| 40A | SB-9MM | Steel Ball | 9mm | 1 |
| 41 | PT2748A-041 | Spring Pin | 3x28mm | 2 |
| 42 | PT2748A-042 | Spring Pin | 8x25mm | 1 |
| 43 | PT2748A-043 | Snap Ring | 44mm | 1 |
| 44 | PT2748A-044 | Spring Pin | 8x45mm | 1 |
| 46 | PT2748A-046 | Wheel Shaft (all models except PT-1636J) | | 1 |
| | PT1636J-046 | Wheel Shaft (PT-1636J Only) | | 1 |
| 47 | PT2748A-109 | Pump Housing Assembly (all models except PT-1636J & PT-3348J) | | 1 |
| | PT1636J-109 | Pump Housing Assembly (PT-1636J Only) | | 1 |
| | PT3348J-109 | Pump Housing Assembly (PT-3348J Only) | | 1 |

| Index No. | Part No. | Description | Size | Qty. |
|-----------|---------------|----------------------------------------------------------------|--------------|------|
| 48 | PT2748A-048 | Handle Pin | | 2 |
| 49 | PT2748A-049 | Bearing Base | | 1 |
| 50 | BB-51109 | Ball Bearing | 51109 | 1 |
| 51 | PT2748A-051 | Spring | 6.3x1.2x25mm | 1 |
| 52 | PT2748A-052 | Release Nozzle | | 1 |
| 53 | PT2748A-053 | Cam | | 1 |
| 54 | TS-0367061 | Spring Pin | 6x35mm | 2 |
| 55 | PT2748A-055 | Table (all models except PT-1636J & PT-3348J) | | 1 |
| | PT1636J-055 | Table (PT-1636J Only) | | 1 |
| | PT3348J-055 | Table (PT-3348J Only) | | 1 |
| 55B | PT2748A-055B | Grease Fitting | | 1 |
| 60 | PT2748L-103 | Steer Wheel Assembly W/Bearings | | 1 |
| 60A | BB-6205VV | Steer Wheel Ball Bearing | 6205VV | 2 |
| 60B | BB-6304VV | Steer Wheel Ball Bearing | 6304VV | 2 |
| 61 | PT2748A-061 | Cap | | 2 |
| 62 | TS-1550071 | Washer | 10mm | 2 |
| 63 | TS-0720091 | Lock Washer | 10mm | 2 |
| 64 | TS-1491021 | Bolt | M10x20 | 2 |
| 65 | TS-1551031 | Lock Washer | 5mm | 6 |
| 66 | TS-1481041 | Bolt | M5x16 | 6 |
| 67 | | Fork Frame (N/A) | | 1 |
| 68 | TS-1550061 | Washer | 8mm | 2 |
| 69 | TS-1551061 | Lock Washer | 8mm | 2 |
| 70 | TS-1504031 | Socket Head Cap Screw | M8x14 | 2 |
| 71 | PT2748A-071 | Crank Shaft (PT-2736J / PT-2742J / PT-2748J) | | 1 |
| | PT2048A-071 | Crank Shaft (PT-2036J / PT-2042J / PT-2048J) | | 1 |
| | PT1636J-071 | Crank Shaft (PT-1636J Only) | | 1 |
| | PT3348J-071 | Crank Shaft (PT-3348J Only) | | 1 |
| 73 | PT2748J-073 | Oil Lite Bushing | | 2 |
| 74 | PT2748A-074 | Table Pin | | 2 |
| 75 | PT2748A-075 | Oil Lite Bushing | | 2 |
| 76 | PT2748J-076 | Lifting Yoke (PT-2736J / PT-2742J / PT-2748J) | | 1 |
| | PT2048J-076 | Lifting Yoke (PT-2036J / PT-2042J / PT-2048J) | | 1 |
| | PT1636J-076 | Lifting Yoke (PT-1636J Only) | | 1 |
| | PT3348J-076 | Lifting Yoke (PT-3348J Only) | | 1 |
| 77 | PT2748J-077 | Spring Pin (all models except PT-3348J) | 6x35mm | 1 |
| | PT3348J-077 | Spring Pin (PT-3348J Only) | 6x30mm | 1 |
| 78 | PT2748J-078 | Arm Pin (all models except PT-3348J) | | 2 |
| | PT3348J-078 | Arm Pin (PT-3348J Only) | | 2 |
| 79 | PT2748J-079 | Spring Pin | 5x25mm | 2 |
| 80 | PT2748J-080BN | Black Nylon Load Wheel W/Bearings (all models except PT-3348J) | | 2 |
| | PT3348J-080ZS | Steel Load Wheel W/Bearings (PT-3348J Only) | | 2 |
| 80A | BB-6004VV | Load Wheel Bearing (all models except PT-3348J) | 6004 | 4 |
| | BB-6203LS | Load Wheel Bearing (PT-3348J Only) | 6203 | 4 |
| 81 | PT2748J-081 | Spring Pin | 5x30mm | 2 |
| 81A | PT2748J-081A | Snap-Ring (all models except PT-3348J) | 20mm | 4 |
| | PT3348J-081A | Snap Ring (PT-3348J Only) | 17mm | 4 |
| 82 | PT2748J-082 | Load Wheel Axle (all models except PT-3348J) | | 2 |
| | PT3348J-082 | Load Wheel Axle (PT-3348J Only) | | 2 |
| 83 | PT2748J-083 | Arm (all models except PT-3348J) | | 2 |
| | PT3348J-083 | Arm (PT-3348J Only) | | 2 |

| Index No. | Part No. | Description | Size | Qty. |
|-----------|--------------|------------------------------------------------------------------|------|------|
| 85 | PT2748J-085 | Oil Lite Bushing (all models except PT-3348J) | | 4 |
| | PT3348J-085 | Oil Lite Bushing (PT-3348J Only) | | 4 |
| 86 | PT2748J-086 | Rod Pin (all models except PT-3348J) | | 2 |
| | PT3348J-086 | Rod Pin (PT-3348J Only) | | 2 |
| 87 | PT2748J-087 | Oil Lite Bushing (all models except PT-3348J) 4 | | |
| | PT3348J-087 | Oil Lite Bushing (PT-3348J Only) | | 4 |
| 88 | PT2736J-088 | Rod (PT-1636J / PT-2036J / 2736J) | | 2 |
| | PT2742J-088 | Rod (PT-2042J / PT-2742J) | | 2 |
| | PT2748J-088 | Rod (PT-2048J / PT-2748J) | | 2 |
| | PT3348J-088 | Rod (PT-3348J Only) | | 2 |
| 89 | PT2748A-089 | E-Ring | 37 | 2 |
| 90 | PT2748A-090 | Bushing | | 2 |
| 99 | PT2748A-099 | Release Rod Assembly | | 1 |
| | PT2748J-101A | Repair Kit (includes index # 16-23, 28) | | 1 |
| | PT2748J-109 | Pump Assembly (all models except PT-1636J & PT-3348J) | | 1 |
| | PT1636J-109 | Pump Assembly (PT-1636J Only) | | 1 |
| | PT3348J-109 | Pump Assembly (PT-3348J Only) | | 1 |
| | PT2748J-110 | Pump, Handle, Wheel Assy (all models except PT-1636J & PT-3348J) | | 1 |
| | PT1636J-110 | Pump, Handle, Wheel Assembly (PT-1636J Only) | | 1 |
| | PT3348J-110 | Pump, Handle, Wheel Assembly (PT-3348J Only) | | 1 |
| | MP-012 | Touch-Up Paint (not shown) | | 1 |
| | PT1636J-ID | I.D. Label (not shown) | | 1 |
| | PT2036J-ID | I.D. Label (not shown) | | 1 |
| | PT2042J-ID | I.D. Label (not shown) | | 1 |
| | PT2048J-ID | I.D. Label (not shown) | | 1 |
| | PT2736J-ID | I.D. Label (not shown) | | 1 |
| | PT2742J-ID | I.D. Label (not shown) | | 1 |
| | PT2748J-ID | I.D. Label (not shown) | | 1 |
| | PT3348J-ID | I.D. Label (not shown) | | 1 |
| | PT2748J-JET | JET Logo Label (not shown) | | 2 |
| | PT2748J-WL | Warning Label (not shown) | | 1 |
| | PT2748J-PL | Pump Label (not shown) | | 1 |

* Available only in the repair kit – PT2748J-101A



TEST CERTIFICATE

| | |
|--------------------|---------------|
| COMMODITY | Pallet Truck |
| MODEL | PT- J |
| SERIAL NO. | |
| CAPACITY | 5,000 lbs |
| TEST LOAD | 5,000 lbs |
| DATE OF INSPECTION | |
| JUDGEMENT | PASSED |
| INSPECTOR | |

JET EQUIPMENT & TOOLS, INC.
A WMH Company
www.jettools.com

2415 West Valley Highway N
P.O. Box 1349
Auburn, WA 98071-1349

Fax: 800-274-6840
Phone: 253-351-6000
e-mail: jet@jettools.com

